

Type 11C, 4U – 19" Rack Mount, Horizontal

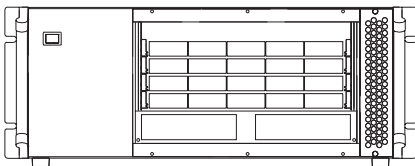


Features

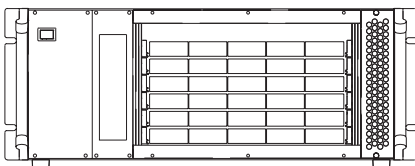
- 19" Rack mount fully compliant to IEEE 1101.10/.11
- 4U x 84HP x 290mm (H x W x D)
- 4 or 6 slot, PICMG: 2.0, 2.16, 2.17, 2.20 backplanes (H.110 optional)
- Cooling front to rear (1 x 90 CFM), plug removable
- Advanced EMC shielding to meet CE, FCC Class A and NEBS
- Wide range of PSU inputs (90 – 264 VAC, 48 VDC)
- Wide range of PSU options: fix mount, plug in, N+1
- Shelf Management: PICMG 2.9, IPMI (optional)
- Ready to run – turnkey solution

Scope of Supply

High quality platform consisting of pre-galvanized steel enclosure, high performance PICMIG 2.0, 2.16, 2.17 or 2.20 backplane, power supply, cooling system and AC/DC power components. Assembled, wired and tested prior to shipment.

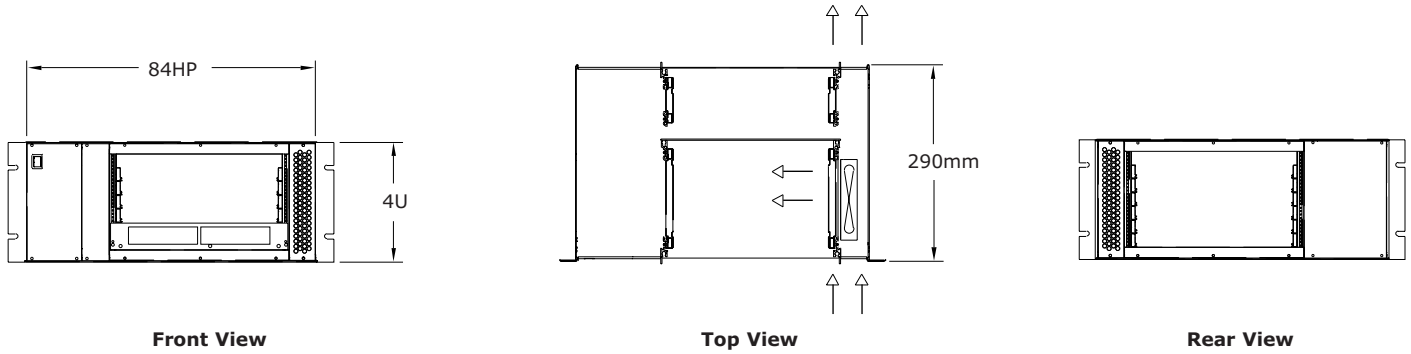


Description	Order Number
<ul style="list-style-type: none"> ■ 4U H x 84HP W x 290mm D ■ 4 slot, 6U x 160mm, front ■ 4 slot, 6U x 80mm, rear I/O ■ 4 slot BP, (PICMG 2.0, wo/H.110) ■ 2 x 3.5", devices ■ 1 x 90 CFM fan, front to rear cooling ■ 1 x 300W, PSU – ATX, Fixed 	11C04AD248Y3HC3X



Description	Order Number
<ul style="list-style-type: none"> ■ 4U H x 84HP W x 290mm D ■ 6 slot, 6U x 160mm, front ■ 6 slot, 6U x 80mm, rear I/O ■ 6 slot BP, (PICMG 2.0, w/H.110) ■ 1 x 3.5", devices ■ 1 x 90 CFM fan, front to rear cooling ■ 1 x 250W, PSU – Front, quick connect 	11C0CCI48Y3HC3X

Line Drawings



Environmental

	Operating	Storage/Transit
Temperature:	0°C to +50°C	-20°C to +70°C
Altitude:	6000 ft. (1,829m)	50,000 ft. (15,240m)
Humidity:	5% to 95% Non condensing	5% to 95% Non condensing
Shock:	10 G's @ 11ms	15 G's @ 11ms (per ASTM 0775)
Vibration:	1.0 G's @ 10 to 330 Hz	1.2 G's @ 5 to 330 Hz
Agencies:	Designed to meet UL60950, FCC Class A, CE	

Custom Configurations

1 1 C 4 8 3 H

Backplane Configuration

00-21: Single BP, AA-YY: Split
02 = 2 slot
04 = 4 slot
06 = 6 slot

Bare Board

A = 6U Eco, ATX, (RSS)
B = 3U Rev. 2.0
C = 6U H110
D = 6U (LSS)
E = 2.16, 1 x FS (no H.110)
F = 2.16, 2 x FS (no H.110)
H = 2.16, 2 x FS (w/ H.110)
I = 2.16, 1 x FS (w/ H.110)
X = No BP installed
Z = Custom

BP Connector

B = P1 S, P2 L; No P3,P4, P5
X = No connectors
Z = Custom

Drives

1 = 1 X 3.5"
2 = 2 X 3.5"
3 = 1 X 5.25"HH
4 = 2 X 5.25"HH
6 = 2 X 3.5", 1 X 5.25"HH
7 = 1 X 3.5", 2 X 5.25"HH
9 = 1 X 3.5", 1 X 5.25"HH
A = 1 x 2.5", 1 X CDROM (SL)
B = 2 x 2.5"
X = Not installed

Height

4 = 4U

Width

8 = 84T

Rear IO

N = No
Y = Yes

Depth

3 = 290mm/305mm/340mm

Card Orientation

H = Horizontal

PSU Input

C = 90-230VAC (Fixed)
E = 110/220VAC (2 x HS, N+1)
G = 90-230VAC (Plug In)
H = 48VDC (Plug In)
K = 48VDC (Fixed)
L = 48VDC (2 x QC, N+1)
M = 48VDC (2 x HS, N+1)
P = 90-230VAC (2 x HS, N+1)
Q = 90-230VAC (3 x HS, N+1)
R = 28VDC (Fixed)
S = 48VDC (3 x HS, N+1)
X = No PSU

PSU Output

(Note: Not all PSU combinations available)

1 = 150 W
2 = 200/250 W (4U, 6U or fixed)
3 = 300 W (4U/6U, ATX)
4 = 350 W (6U plug in only)
5 = 350 W (Brick)
6 = 500 W (Brick)
7 = 300 W (4U or 6U, PS2 Hot Swap)
8 = 200 W (6U x 4T)
X = Not installed

Voltage IO

3 = 3.3V
5 = 5V
X = Not installed