

Type 11C, 7U – Wall Mount, Vertical



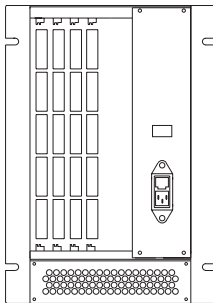
Features

- 19" Rack mount fully compliant to IEEE 1101.10/.11
- 7U x 32HP x 243mm (H x W x D)
- 4 slot, PICMG: 2.0, 2.16, 2.17, 2.20 backplanes (H.110 optional)
- Cooling Front to top (1 x 90 CFM)
- Advanced EMC shielding to meet CE, FCC Class A and NEBS
- PSU inputs (90 – 264 VAC, 48 VDC)
- PSU options: fix mount, plug in
- Ready to run – turnkey solution

Scope of Supply

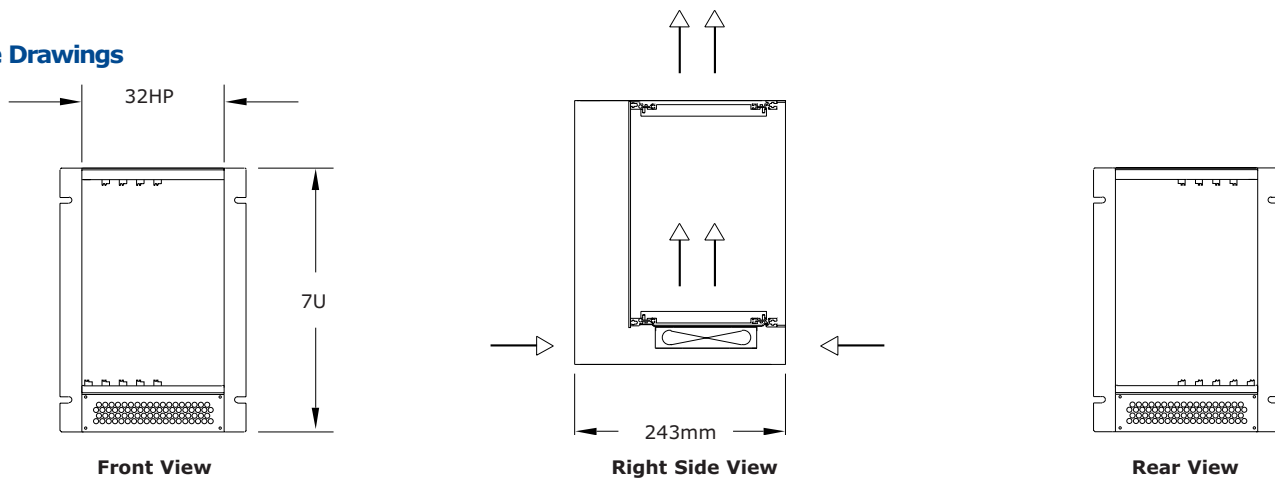
High quality 19" rack mount chassis platform consisting of pre-galvanized steel enclosures, high performance PICMIG 2.0, 2.16, 2.17 or 2.20 backplane, power supply, cooling system and AC/DC power components. Assembled, wired and tested prior to shipment.

Order Information



Description	Order Number
<ul style="list-style-type: none">■ 7U H x 32HP W x 243mm D■ 4 slot, 6U x 160mm, front■ No rear I/O■ 4 slot BP, (PICMG 2.0, wo/H.110)■ No device mounting■ 1 x 90 CFM fans, front to top cooling■ 1 x 250W PSU – 6U, quick connect	11C04ABX73N2VN2X

Line Drawings



Environmental

	Operating	Storage/Transit
Temperature:	0°C to +50°C	-20°C to +70°C
Altitude:	6000 ft. (1,829m)	50,000 ft. (15,240m)
Humidity:	5% to 95% Non condensing	5% to 95% Non condensing
Shock:	10 G's @ 11ms	15 G's @ 11ms (per ASTM 0775)
Vibration:	1.0 G's @ 10 to 330 Hz	1.2 G's @ 5 to 330 Hz
Agencies:	Designed to meet UL60950, FCC Class A, CE	

Custom Configurations

1 1 C 7 3 N 3 V

Backplane Configuration

00-21: Single BP, AA-YY: Split
 02 = 2 slot
 04 = 4 slot
 06 = 6 slot

Bare Board

A = 6U Eco, ATX, (RSS)
 B = 3U Rev. 2.0
 C = 6U H110
 D = 6U (LSS)
 E = 2.16, 1 x FS (no H.110)
 F = 2.16, 2 x FS (no H.110)
 H = 2.16, 2 x FS (w/ H.110)
 I = 2.16, 1 x FS (w/ H.110)
 X = No BP installed
 Z = Custom

BP Connector

B = P1 S, P2 L; No P3,P4, P5
 C = P1, P2 & P4 S; P3 & P5 L
 D = P1 & P2 S; P3, P4, P5 L
 X = No connectors
 Z = Custom

Drives

1 = 1 X 3.5"
 2 = 2 X 3.5"
 3 = 1 X 5.25"HH
 5 = 4 X 5.25"HH
 9 = 1 X 3.5", 1 X 5.25"HH
 A = 1 x 2.5", 1 X CDROM (SL)
 B = 2 x 2.5"
 X = Not installed

Height

7 = 7U

Width

3 = 32T

Rear IO

N = No

Depth

3 = 290mm/305mm/340mm

Card Orientation

V = Vertical

PSU Input

C = 90-230VAC (Fixed)
 E = 110/220VAC (2 x HS, N+1)
 G = 90-230VAC (Plug In)
 H = 48VDC (Plug In)
 K = 48VDC (Fixed)
 L = 48VDC (2 x QC, N+1)
 M = 48VDC (2 x HS, N+1)
 P = 90-230VAC (2 x HS, N+1)
 Q = 90-230VAC (3 x HS, N+1)
 R = 28VDC (Fixed)
 S = 48VDC (3 x HS, N+1)
 X = No PSU

PSU Output

(Note: Not all PSU combinations available)
 1 = 150 W
 2 = 200/250 W (4U, 6U or fixed)
 3 = 300 W (4U/6U, ATX)
 4 = 350 W (6U plug in only)
 5 = 350 W (Brick)
 6 = 500 W (Brick)
 7 = 300 W (4U or 6U, PS2 Hot Swap)
 8 = 200 W (6U x 4T)
 X = Not installed

Voltage IO

3 = 3.3V
 5 = 5V
 X = Not installed