

MicroTCA BACKPLANES-DUAL STAR



FEATURES

- Complies to MicroTCA.0 Specification Rev 1.0
- Slot to slot aggregate bandwidth of 5,000 Mbytes/sec
- Approximately 3U height
- 10 AMC, 2 MCH, 2 Power Module Slots (all full size)
- Modular and serviceable
- Standard shelf management - MicroTCA Carrier Hub (MCH)
- Accepts both single and double modules
- Compression-mount connector easily replaceable
- Optimized via signal integrity studies, reports available upon request
- Other versions available in various configurations -- compact and mid size, cube and pico styles

BOARD SPECIFICATIONS

- 26-layer board
- 2 oz. copper power and ground
- PCB UL listed 94V-0
- PCB FR-4 or equivalent
- PCB .195" thick

MECHANICAL SPECIFICATIONS

- 3U height
- Full size modules
- Compression connectors

DESCRIPTION

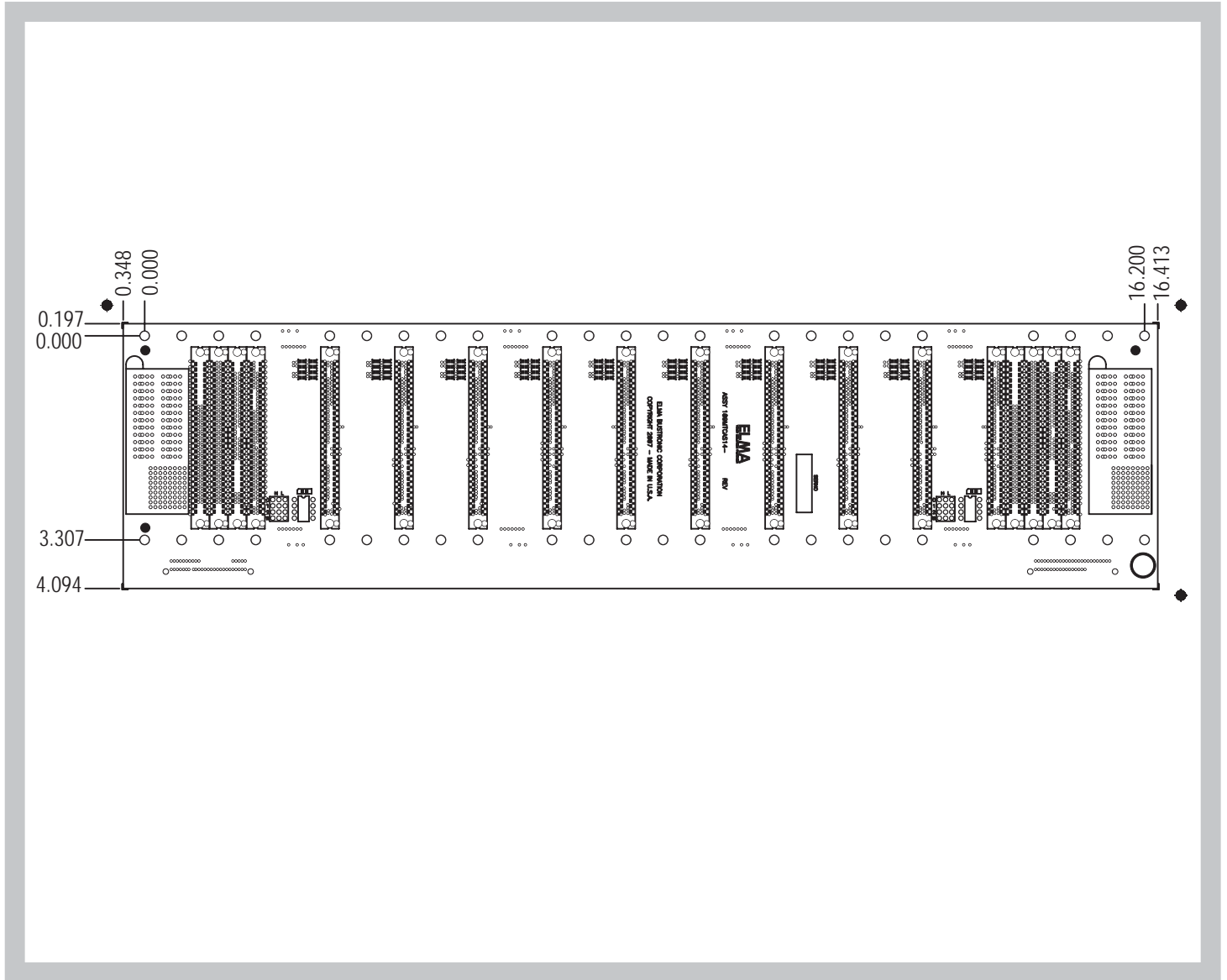
The Elma Bustronic Dual Star MicroTCA backplane comes with 10 AMC, 2 power, and 2 MCH slots in the full size. The Dual Star backplane utilizes the compression style connector.

MicroTCA was developed as an "ATCA Lite", for applications where AdvancedTCA may be overkill. It reduces size and cost by eliminating the ATCA carrier, enabling AMC modules to be plugged directly into the backplane. MicroTCA provides scaleable bandwidth from 1-40 Gbit/sec, and scaleable availability ranging from three nines (99.9%) to five nines uptime (99.999%).

The MicroTCA Carrier Hub (MCH) provides interconnect, power conversion, clock distribution, and system management functionality needed to support up to 12 AMC modules. The high performance of MicroTCA coupled with its compact size, low cost and low power consumption make it a good fit for wireless base stations, digital loop carriers, optical ADMs, enterprise networking, storage servers, non-rugged Mil/Aero communications, and many other applications.

MicroTCA BACKPLANES-DUAL STAR

LINE DRAWING

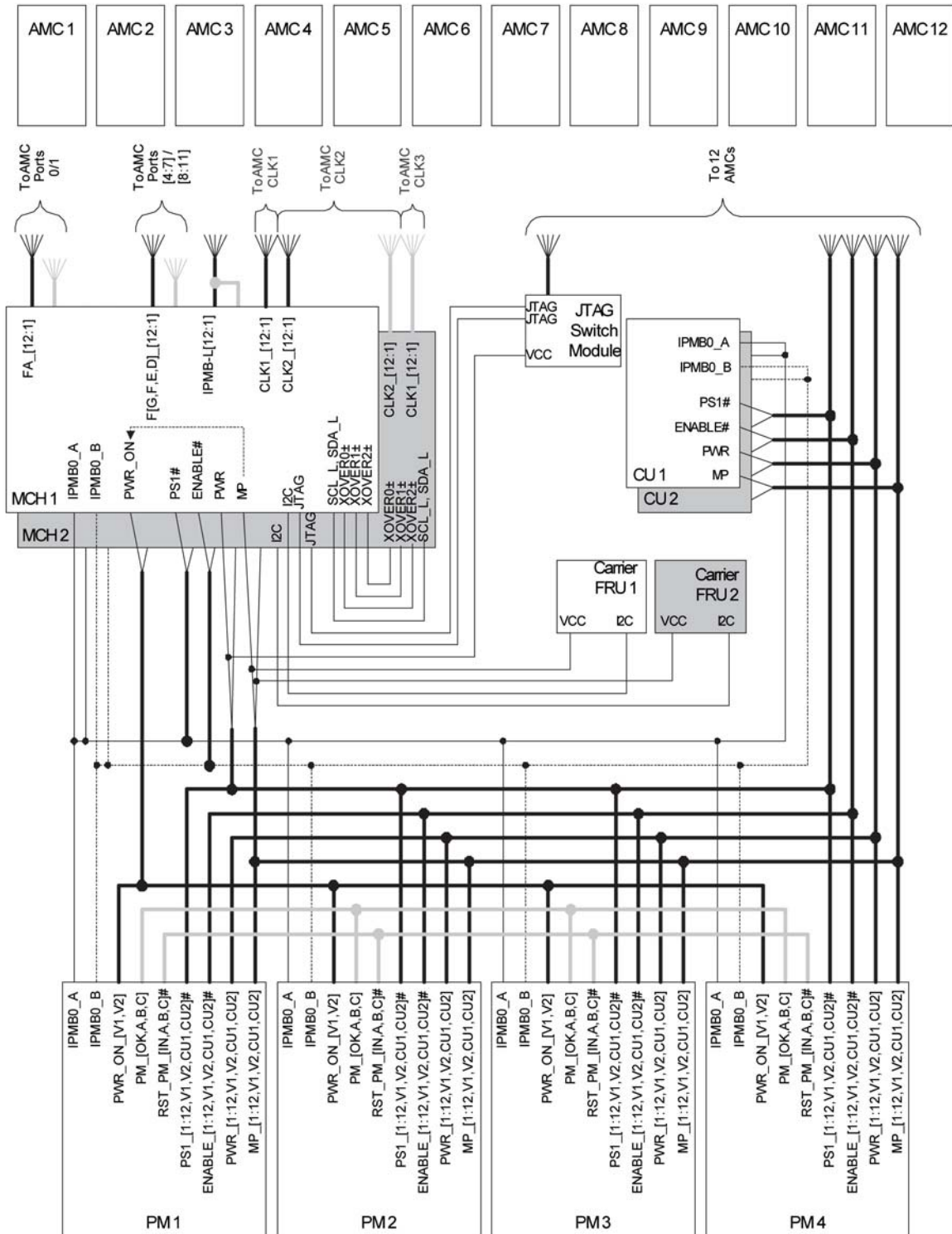


ORDER INFORMATION

Height	Slots	Description	Part Number
3U	14	10 AMC, 2 power, 2 MCH slots all in full size	109MTCAS14-2220R

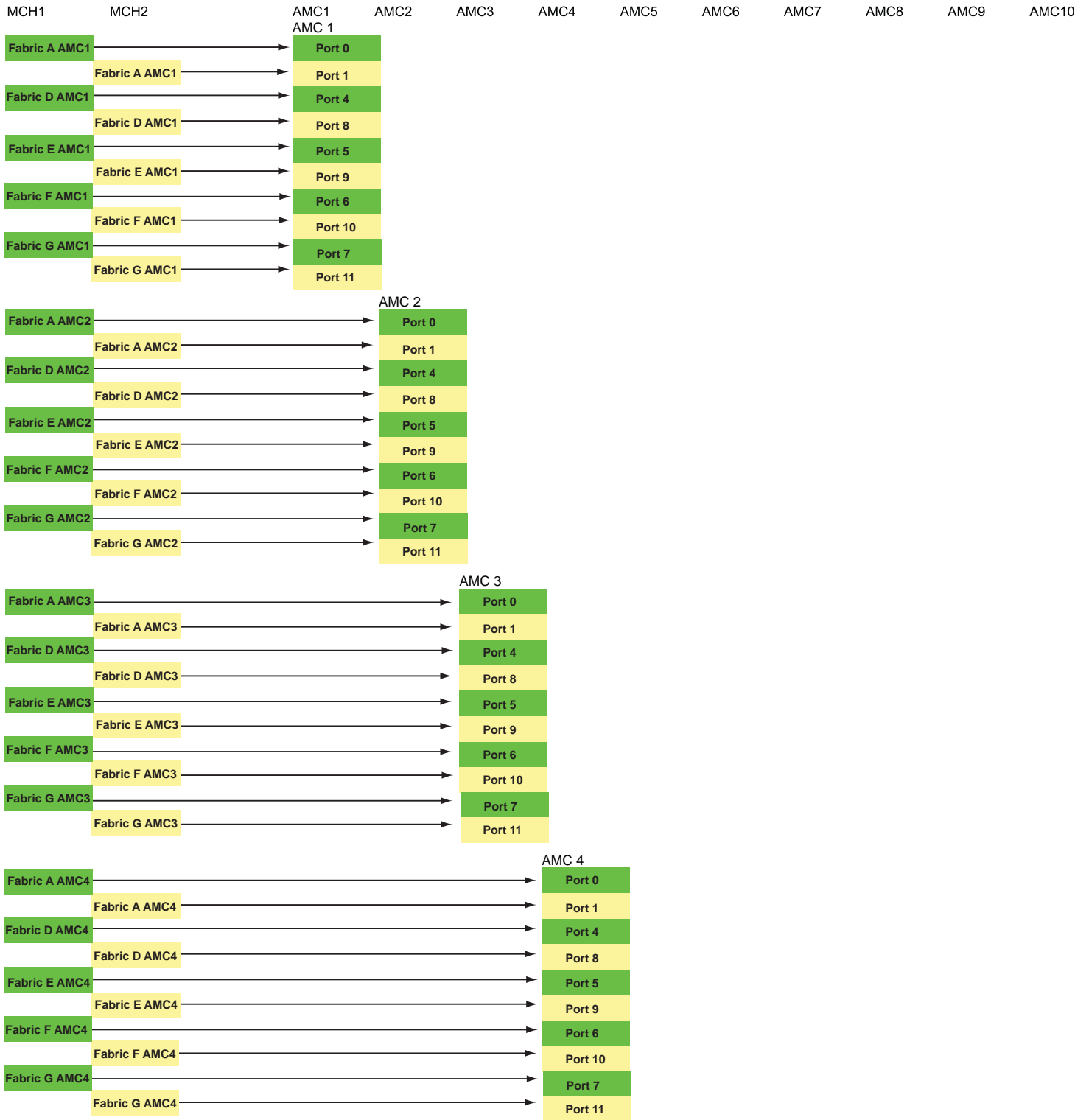
MicroTCA BACKPLANES-DUAL STAR

CONNECTIVITY



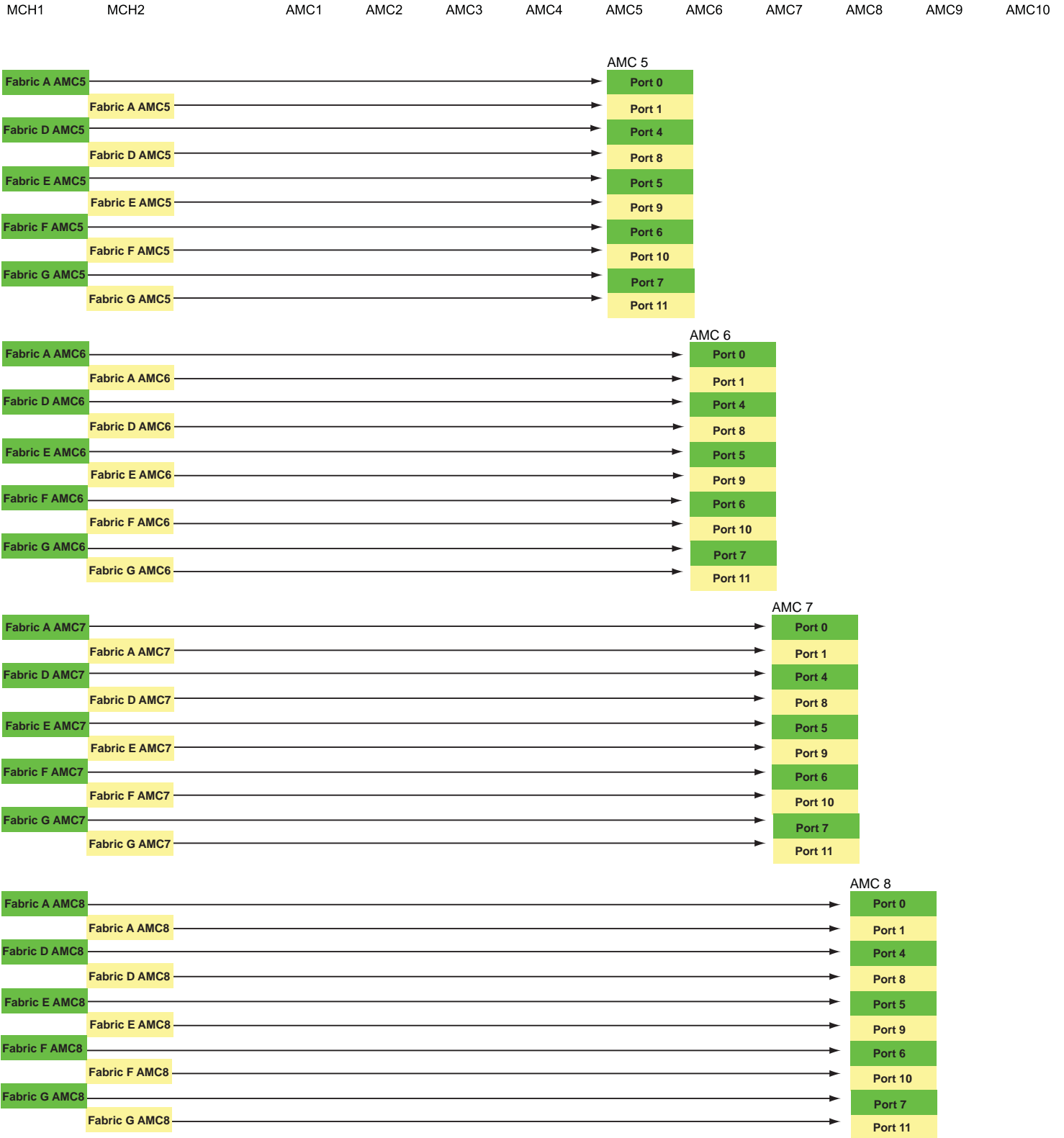
MicroTCA BACKPLANES-DUAL STAR

LANE MAPPING



MicroTCA BACKPLANES-DUAL STAR

LANE MAPPING



MicroTCA BACKPLANES-DUAL STAR

LANE MAPPING

