

» AM4020 «



High-End Processor AMC based on Intel® Core™ i7 Technology

Outstanding Performance

» Intel® Core™ i7 with 2.0 GHz or 2.53 GHz

Impressive Capacity

» Up to 8 GB ECC Memory DDR3 1066 MHz

» Up to 32 GB NAND Flash

Comprehensive Connectivity

» 4x GbE, 4x SATA, 2x PCIe x4, Graphic or COM and more

AM4020

Small, Fast, Robust

» Performance

The AM4020 is a highly integrated CPU board implemented as a Single Mid-size or Full-size Advanced Mezzanine Card (AMC) for ATCA and MicroTCA applications. The design is based on the Intel® Core™ i7 processor platform combined with the mobile Intel® QM57 Express Chipset.

The board supports the Intel® Core™ i7-610E and the Intel® Core™ i7-620LE processors in 32 nm technology with 64 kB L1 cache, 256 kB L2 cache and 4 MB L3 cache in a BGA package with frequencies ranging from 2.0 GHz up to 2.53 GHz. The processor and the memory are soldered on the AM4020 which results in higher Mean Time Between Failures (MTBF) and a significant improvement in cooling.

» Throughput

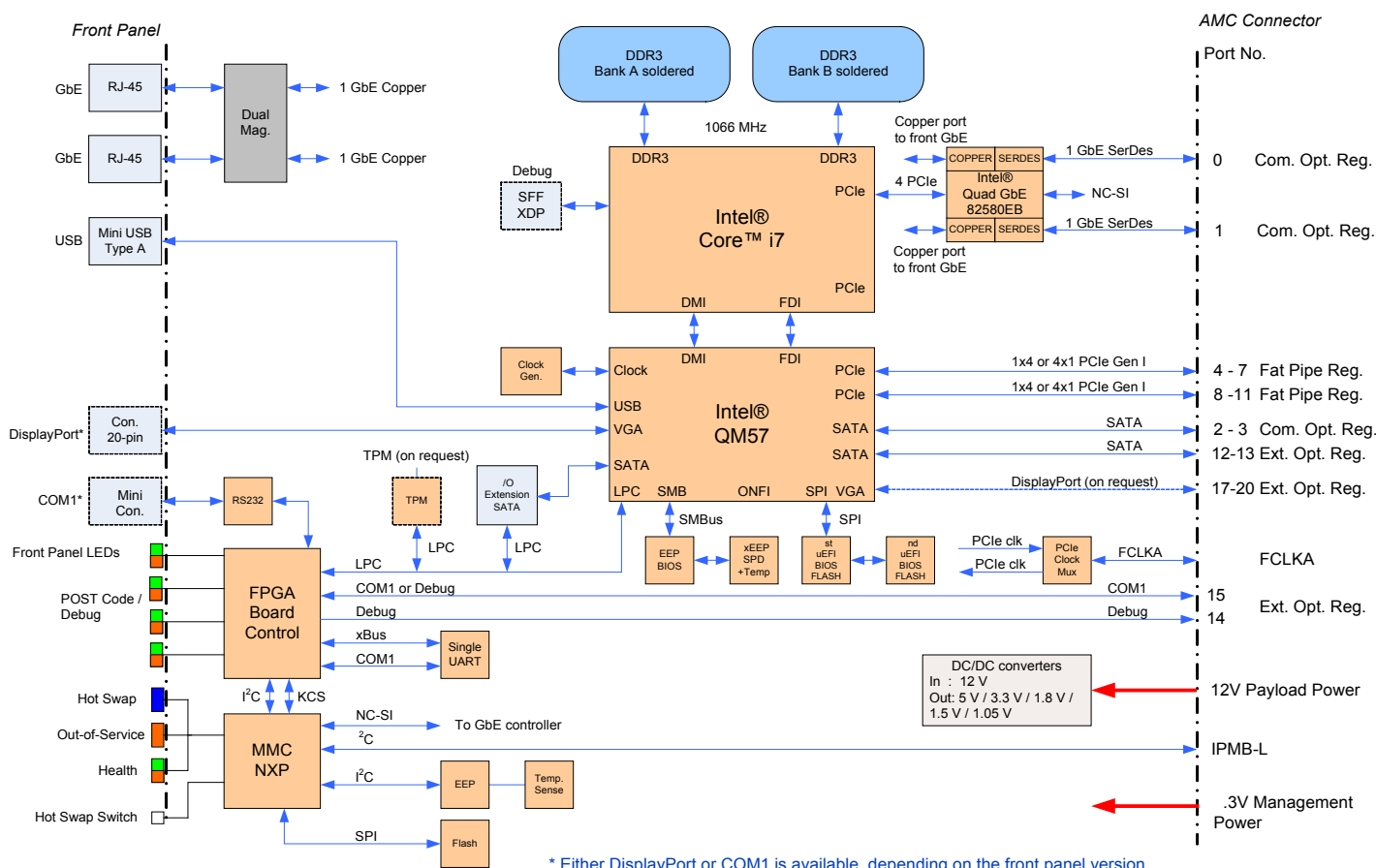
The AM4020 includes up to 8 GB, dual-channel Double Data Rate (DDR3) memory with Error Checking and Correcting (ECC) running at 1066 MHz. The graphics and memory controller is integrated in the processor. One quad Gigabit Ethernet controller directly connected to the processor ensures maximum data throughput between processor and memory. The AM4020 can be equipped optionally with an up to 32 GB NAND Flash memory module which can be screwed on the AM4020.

» Connectivity

Supporting the PICMG sub-specifications AMC.1/.2/.3 the AM4020 ensures a comprehensive set of interconnecting capabilities. The AM4020 is available with two front panel versions, one with a high-resolution DisplayPort and one with a COM port. Further interfaces include one USB 2.0 host interface and two Gigabit Ethernet ports to the front as well as a variety of high-speed interconnect topologies to the system, such as Dual Gigabit SerDes connection and Dual Serial ATA storage interface in the Common Options Region, two x4 or eight x1 PCI Express in the Fat Pipes Region, and dual Serial ATA storage interface, a DisplayPort (on request), and a Debug port in the Extended Options Region.

» Reliability

The careful design and selection of high temperature resistant components together with the elaborated heat sink construction ensures a high product reliability. A front panel design according MicroTCA.1 (on request) provides shock & vibration resistance in demanding environmental conditions.



Technical Information

Form Factor	Single mid-size or full-size AMC module (full-size on request)
CPU and PCH	
Processor	The AM4020 supports the following microprocessors: <ul style="list-style-type: none"> » Intel® Core™ i7-610E (SV) processor with ECC, 2.53 GHz, 4 MB L3 cache » Intel® Core™ i7-620LE (LV) processor with ECC, 2.0 GHz, 4 MB L3 cache <p>Cache Structure:</p> <ul style="list-style-type: none"> » 64 kB L1 cache for each core » 32 kB instruction cache » 32 kB data cache » 256 kB L2 shared instruction/data cache for each core » 4 MB L3 shared instruction/data cache shared between both cores <p>Further processor features:</p> <ul style="list-style-type: none"> » Two execution cores » Intel® Hyper-Threading Technology (Intel® HT Technology) » Intel® 64 Architecture » Intel® Turbo Boost Technology » Intel® Intelligent Power Sharing (IPS)
Platform Controller Hub	Mobile Intel® QM57 Express Chipset: <ul style="list-style-type: none"> » Two x4 or eight x1 PCI Express 2.0 ports operating at 2.5 GT/s » SATA host controller with six ports, 3 Gbit/s data transfer rate and RAID 0/1/5/10 support » USB 2.0 host interface with up to 14 USB ports available (only one USB 2.0 port is used on the AM4020)
Memory	
System Memory	Dual channel DDR3 memory, up to 8 GB DDR3 SDRAM memory with ECC, running at 1066 MHz
NAND Flash	Up to 32 GB SLC NAND Flash on a dedicated SATA NAND Flash module
Flash (BIOS)	Two redundant 8 MB SPI Flash chips (2 x 8 MB) for uEFI BIOS controlled by the MMC
EEPROM	Serial EEPROM (24LC64) 64 kbit
Onboard Controllers	
VGA	Built-in Intel 3D Graphics accelerator for enhanced graphics performance: <ul style="list-style-type: none"> » Supports resolutions up to 2560 x 1600 pixels @ 60 Hz » DisplayPort hot plug support » Dynamic Video Memory Technology <p>If the AM4020 is populated with a COM port on the front panel, the VGA controller is disabled.</p>
Gigabit Ethernet	One Intel 82580EB Quad Gigabit Ethernet PCI Express bus controller <ul style="list-style-type: none"> » Two interfaces routed to front I/O connectors » Two interfaces routed to the AMC connector
UART	EXAR XR16L580IL single UART, 16550 compatible
TPM	Infineon SLB9635TT TPM 1.2 controller (on request)
MMC	NXP LPC2368 controller with on-chip 512 kB Flash and 56 kB RAM
Watchdog	FPGA-based, software-configurable, two-stage Watchdog w. programmable timeout ranging from 125 ms - 256 s in 12 steps
System Interconnection	
Gigabit Ethernet	Two 1000BASE-BX (SerDes) (Common Options Region ports 0-1)
Serial ATA	Two SATA ports (Common Options Region ports 2-3) Two SATA ports (Extended Options Region ports 12-13)
PCI Express	Two x4 or eight x1 PCI Express interfaces on AMC ports 4-11 (Fat Pipes Region)
Debug Interface	One Debug port (Extended Options Region port 14)
Serial Port	COM1 (LVTTTL) (Extended Options Region port 15)
DisplayPort	One DisplayPort on request (Extended Options Region ports 17-20)
FCLKA	Bidirectional PCI Express clock configuration
Front Panel Interfaces	
Gigabit Ethernet	Two 1000BASE-TX on RJ45 connector
DisplayPort	One DisplayPort on standard 20-pin DisplayPort connector
USB	One USB 2.0 port on 5-pin, type A Mini-USB connector
Serial Port	One RS232 UART interface on 10-pin mini connector
LEDs	Three Module Management LEDs Four User-Specific LEDs Ethernet LEDs
Onboard Interfaces	
Debug Interface	JTAG port for processor emulation probe connection Serial POST Code (LVTTTL) interface on the AMC port 14
I/O Extension	The I/O extension holds the following interfaces: SATA, USB, LPC interface and some power and control signals, battery input
Compliance	
ATCA	12 V payload power, 3.3 V management power
MicroTCA	PICMG MTCA.0 Micro Telecommunications Comp. Architecture R1.0 PCI Express: PCI Express Base Specification Revision 1.0a

Technical Information

AMC	PICMG AMC.0: Advanced Mezzanine Card Specification R2.0 PICMG AMC.1: PCI Express and Advanced Switching R1.0 PICMG AMC.2: Gigabit Ethernet R1.0 PICMG AMC.3: Storage Interfaces R1.0
IPMI	IPMI Intelligent Platform Management Interface Spec. V2.0 IPMI - Platform Management FRU Information Definition V1.0
CE	EN55022, EN55024, EN61000-6-2/-6-3, EN300386, EN60950-1
Vibration/Shock	IEC60068-2-6 / IEC60068-2-27
Climatic Humidity	IEC60068-2-78
WEEE	Directive 2002/96/EC
RoHS	Directive 2002/95/EC
General	
Dimensions	Dimensions without retention screws on front panel: Mid-size: 181.5 mm x 73.5 mm x 18.96 mm
Board Weight	Mid-size: approx. 240 grams (with heat sink)
MTBF	209269 h Bellcore Issue 6 / 225907 h MIL-HDBK-217 FN2 Ground Benign 30°
Power Supply	12 V payload power, 3.3 V management power
Power Consumption	i7-620LE (LV) 2.0 GHz: max 30 W (graphics idle), max 38 W (with graphics load) i7-610E (SV) 2.53 GHz: max 36 W (graphics idle), max 49 W (with graphics load)
Environmental	
Temperature range	-5°C to +55°C (standard, depending on processor version and airflow in the system) -40°C to +70°C (extended, depending on processor version and airflow in the system) -40°C to +70°C (storage) passive module heat sink, forced system airflow
Humidity	Operational: 5%-90% (non-condensing) Non-Operating: 5%-95% (non-condensing)
Software	
BIOS	AMI uEFI BIOS
IPMI	MMC (Module Management Controller) implementation compliant to PICMG, AMC.0, Kontron own IP
Linux	Generic BSP to be used with various Linux derivatives; Verified for RedHat 5.3 and SUSE 11.2 (kernel 2.6.2x) or later
Windows	Windows XP SP3 / XPembedded, Windows 7 (32/64 bit), Windows 2008 Server R2 for AM4020-versions with DisplayPort interface or later
WindRiver Linux	PNE 3.x or later
VxWorks	VxWorks BSP 6.8 or later

Ordering Information

Article	Description
Processor Modules	
AM4020M-2.0D-4GS-COM	Core™ i7-620LE LV 2.0 GHz, Dual Core, 4 GB soldered SDRAM DDR3 1066MHz with ECC, version with COM-port
AM4020M-2.0D-4GS-DP	Core™ i7-620LE LV 2.0 GHz, Dual Core, 4 GB soldered SDRAM DDR3 1066MHz with ECC, version with DisplayPort
AM4020M-2.53D-4GS-COM	Core™ i7-610E SV 2.53 GHz, Dual Core, 4 GB soldered SDRAM DDR3 1066MHz with ECC, version with COM-port
AM4020M-2.53D-4GS-COM	Core™ i7-610E SV 2.53 GHz, Dual Core, 4 GB soldered SDRAM DDR3 1066MHz with ECC, version with DisplayPort
Accessories	
FLASH-SATA-16GB-AM4020	16 GByte NAND-Flash SATA module
FLASH-SATA-32GB-AM4020	32 GByte NAND-Flash SATA module
CABLE-MINI-USB-TA	Adapter cable: MiniUSB-A to USB-A-Jack, 15 cm
CABLE-GRAPHIC-DP-TO-DVI	Adapter cable: DisplayPort to DVI, 19 cm
CABLE-SERIAL-10-PIN-MINI-TO-9-PIN-DSUB	Adapter cable: 10-pin Hirose to 9-pin DSub
For further order options please contact the local sales office	

CORPORATE OFFICES

Europe, Middle East & Africa

Oskar-von-Miller-Str. 1
85386 Eching/Munich
Germany
Tel.: +49 (0)8165/ 77 777
Fax: +49 (0)8165/ 77 279
info@kontron.com

North America

14118 Stowe Drive
Poway, CA 92064-7147
USA
Tel.: +1 888 294 4558
Fax: +1 858 677 0898
info@us.kontron.com

Asia Pacific

17 Building, Block #1, ABP.
188 Southern West 4th Ring Road
Beijing 100070, P.R.China
Tel.: + 86 10 63751188
Fax: + 86 10 83682438
info@kontron.cn

