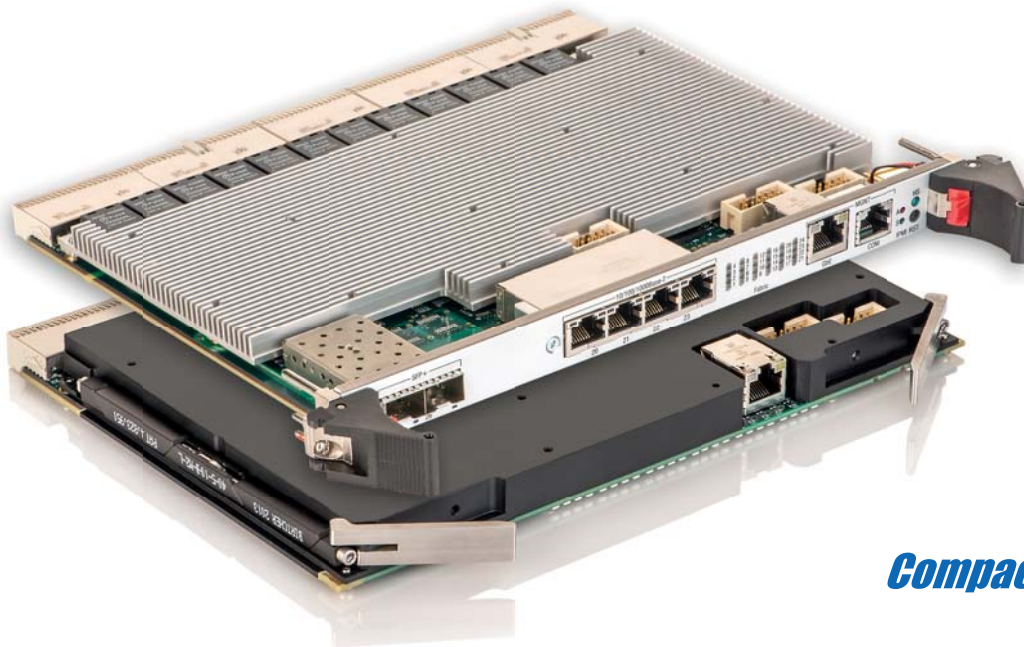


» CP6924 «



CompactPCI[®]

26 Port 1/10 Gigabit managed Layer 2 & 3 CompactPCI[®] /VME Ethernet Switch

- » Fully managed layer 2 & 3 switching and routing
- » Air or Conduction Cooled Version
- » Versatile, complete rear I/O and uplink support
- » DHCP server & boot media support

CP6924

26 Port 1/10 Gigabit managed non-blocking Layer 2 & 3 CompactPCI®/VME Ethernet Switch

The Kontron CP6924 is a non blocking fully managed L2/L3 10Gb Ethernet Switch and provides rich and versatile feature support by using highest integration of Ethernet switch silicon.

Bandwidth

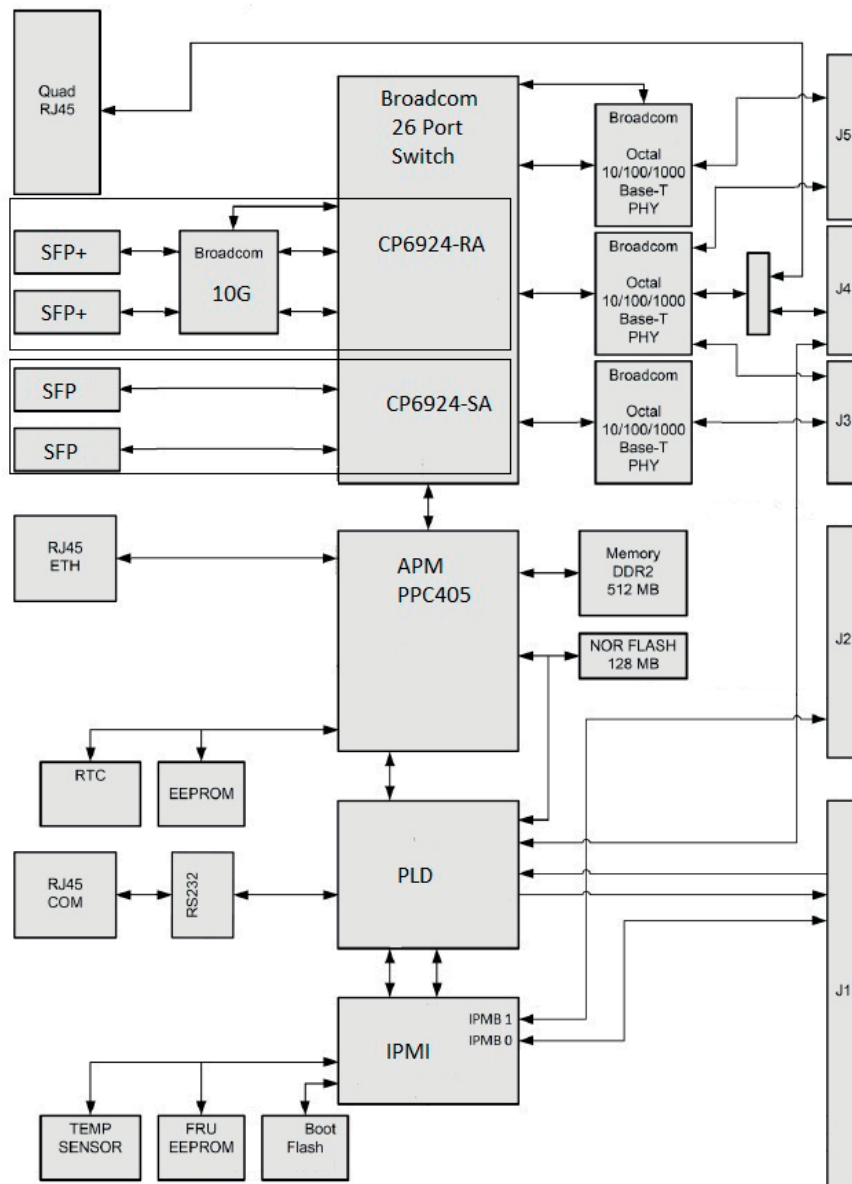
The CP6924 is designed for future oriented applications requiring outstanding bandwidth and communication features. Up to 2 SFP+ front ports running at 10Gb/s full line speed and 4 Gigabit/s copper ports at the front gives flexibility and an intrinsic value for todays investments. The front copper ports can be switched to the backplane in a PICMG 2.16 arrangement. 20 additional rear ports according PICMG2.16 and VITA31.1 fulfil the requirement of CompactPCI® and VME systems with highest computing performance.

Reliability

The robust design features including hardware hot swap as well as complete SNMP management support sets the foundation for robust and reliable systems. Built-In test capabilities enable effective switch maintenance.

Management

The CP6924 can be monitored via SNMP, which also allows access to the devices connected to the backplane. A comprehensive command line interface provides easy management and remote configuration by either serial or network interface. Support for features like IP forwarding & multicast, routing & switching, Quality of Service, VLANs it is an ideal Switch for CompactPCI® and VME systems according PICMG2.16 and VITA31.1.



Technical Information

Compliance

CompactPCI® Core Specification PICMG 2.0 Rev. 3.0
 CompactPCI® HotSwap Specification PICMG 2.1 R 2.0
 CompactPCI® System Management PICMG 2.09R1.0
 CompactPCI® Packet Switching Backplane PICMG 2.16 R. 1.0
 VNE64x Packet Switching Backplane VITA 31.1
 Intelligent Platform Management Interface Specification V1.5
 ANSI/Vita 47-2005
 IEC 60068-2-6, IEC 60068-2-27, IEC 60068-2-29
 EN 60950, UL60950, LVD 73/23/EEC, Denan Law compliant

Interfaces

CP6924-RA-OC:
 2x 10GBase-X uplinks for SFP+ optical transceivers

CP6924-SA-OC-V:
 2x 1GBase-X uplinks (SFP connector cages) for SFP optical transceivers

Common on CP6924-RA-OC/CP6924-SA-OC-V:
 4x front Panel RJ45 connectors with 10/100/1000BASE-T support, switchable to rear IO according PICMG2.16/VITA31.1
 20x 10/100/1000 Base-T link ports on backplane or RTM according PICMG2.16 / VITA31.1
 1x 10/100Base-T for Management (RJ45 connector)
 1x RS232 for Management (RJ45 connector and backplane)
 Reset Switch
 Status LEDs

CP6924-RC:
 24x 10/100/1000 Base-T link ports on backplane or RTM according PICMG2.16 / VITA31.1
 1x 10/100Base-T for Management (RJ45 connector)
 1x RS232 for Management on rear IO
 Reset Switch
 Status LEDs

Controller and Switch

Broadcom BCM56334 Ethernet Switch
 PowerPC APM PPC405Ex with 512MB RAM
 NXP uController for IPMI

Management

Management via SNMP, Command Line (Telnet, SSH)

» In-band
 » Out of band via Ethernet or RS232
 IPMI version 1.5, Power On Self Test
 DHCP server, relay and Boot media support
 Reliable software, field upgradable
 Dual boot images with roll-back capabilities
 Advanced management monitoring features
 Ethernet/Bridging protocols include
 » Link aggregation (802.3ad)
 » VLANs (802.1Q)
 » QoS (IEEE 802.1p)
 » Spanning tree (802.1D, 802.1w)
 » Flow control (802.3x)
 » GARP/GVRP, GMRP
 » ARP, ICMP, OSPF, RIP, VRRP, DVMRP

Enhanced Features are
 » Egress ACLs, IP ACL support
 » Auto VoIP
 » IGMP snooping & proxy support
 » Startup configuration configurable
 » Watchdog
 » Cable test

General

Power Consumption

Max. 60W

Dimensions

233.5 mm x 160 mm, 6U

Weight

Approx. 800gr.

MTBF

tbd.

Environment

CP6924-SA-OC-V IEC 60068-2-6, IEC 60068-2-27, IEC 61131-2, 0°C to +55°C, forced air cooling required

CP6924-RA-OC VITA 47, class EAC6, V2, -40°C to +85°C, forced air cooling required

CP6924-RC VITA 47, class ECC4, V3, -40°C to +85°C, conduction cooling required
 High shock and vibration levels can be achieved when installed in a ruggedized system

Humidity 93% RH at 40 °C, non-condensing (acc. to IEC 60068-2-78)

Ordering Information

Article	Description
CP6924-SA-OC-V	6U, single slot Gigabit Ethernet Switch with complete L2 management, 20x rear 1GbE, 4x front 1GbE switchable to rear I/O and 2x 1GbE SFP Uplinks, Forced Air Cooled, 0°C to +60°C
CP6924-RA-OC	6U, single slot Gigabit Ethernet Switch with complete L2/L3 management, 20x rear 1GbE, 4x front 1GbE switchable to rear I/O and 2x 10GbE SFP+ Uplinks, Forced Air Cooled, -40°C to +85°C
CP6924-RC-C	6U, single slot Gigabit Ethernet Switch with complete L2/L3 management, 24x rear I/O 1GbE, Rugged Conduction Cooled, -40°C to +85°C, Coating
CP-RI06-923-12	6U, 4HP, rear transition module for PICMG2.16 switch, 12 ports (ports 12 to 23), RJ45, RS232 on RJ45
CP-RI06-923-24	6U, 8HP, rear transition module for PICMG2.16 switch, 24 ports (ports F, 1 to 23), RJ45, RS232 on RJ45

CORPORATE OFFICES

Europe, Middle East & Africa

Oskar-von-Miller-Str. 1
85386 Eching / Munich
Germany

Tel.: +49 8165 77 777
Fax: +49 8165 77 219
info@kontron.com

North America

14118 Stowe Drive
Poway, CA 92064-7147
USA

Tel.: +1 888 294 4558
Fax: +1 858 677 0898
info@us.kontron.com

Asia Pacific

17 Building, Block #1, ABP.
188 Southern West 4th Ring Road
Beijing 100070, P.R.China

Tel.: +86 10 63751188
Fax: +86 10 83682438
info@kontron.cn