



Trenton TRC4007 Rackmount System
Shown with a 14-slot backplane and one SBC

FEATURES

- Built-in LCD display & keyboard tray simplifies system installation
- Server or graphics-class PICMG 1.3 single board computer options
- Dual- or single-processor SHB or SBC options and the latest multi-core CPUs including the JXT6966 SBC with Intel® Xeon® C5500 processors (Jasper Forest)
- Additional system configuration options include embedded motherboards
- Light-weight, yet rugged aluminum chassis configuration with three hot swap, front access 3.5" storage drive bays
- Multiple front and rear system interface ports

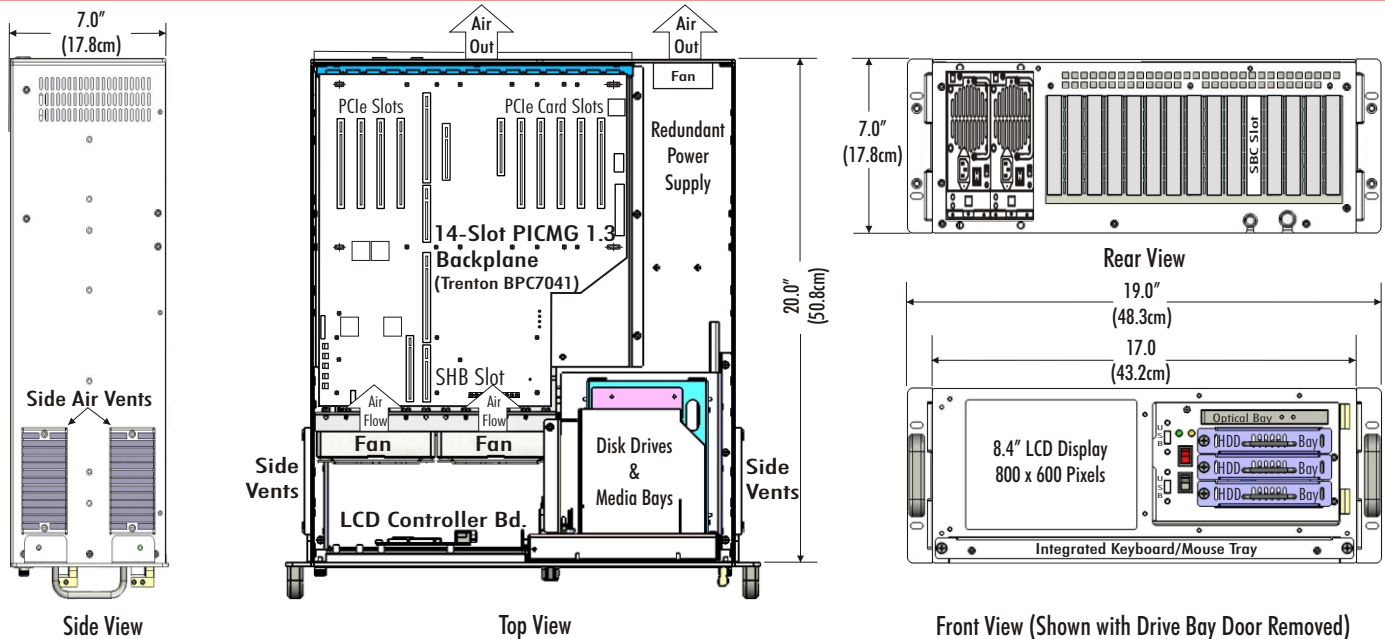


TRC4007 OVERVIEW:

The Trenton TRC4007 features a built-in 8.5" flat-panel monitor and integrated mouse/keyboard tray in a compact 4U rackmount enclosure. There are three, 3.5" removable and hot swap driver carriers, one slim-line optical media bay, two USB ports, diagnostic LEDs, power and system reset switches behind the smoked polycarbonate door. This rackmount system is configured to support one PICMG® 1.3 SHB and a 14-slot backplane or one or more SHBs using multiple small form factor PICMG 1.3 backplanes. Additional configuration options include embedded motherboards, PICMG 1.0 SBCs other backplane form factors. See [Trenton single board computers](#) or [Trenton backplanes](#) for more details on board capabilities and specification data.

The TRC4007 rackmount chassis features side vents, high-capacity system fans and a rear-mounted redundant power supply option to maximize system reliability in embedded computing applications. The built-in LCD, keyboard/mouse tray and the 20" depth of this heavy duty steel chassis is engineered to support a variety of industry standard 14-slot backplanes, small-form factor backplanes and Micro-ATX, Mini-ATX and Extended-ATX embedded motherboards.

TRC4007 CHASSIS LAYOUT DRAWING - 14-SLOT BACKPLANE CONFIGURATION:



TRENTON RACKMOUNT COMPUTER: TRC4007

SYSTEM MODEL	DESCRIPTION
TRC4007	4U rackmount chassis with an integrated LCD and keyboard/mouse tray, three front access / hot swap HDD bays and one optical media bay, supports PICMG SBCs and 14-slot / small form factor backplane or embedded motherboard options

TECHNICAL SPECIFICATIONS:

MODEL NAME	TRC4007
DESCRIPTION	4U, rackmount computer chassis with a 20" depth featuring an LCD display, integrated keyboard/mouse tray and three front access / hot swap HDDs
CHASSIS STANDARD	EIA RS-310C 19" Rackmount Standard
CONSTRUCTION & COLOR	Light-wieght, rugged aluminum – Black front
VERSION	19" Rackmount, 14-slot Passive backplane with 8.5" TFT LCD display and integrated keyboard/mouse tray
PICMG 1.3 BACKPLANE OPTIONS	14-slot - Trenton BPC7041, BPC7009, BPX6620, BPX6610, BPX3/8 and other industry standard PICMG 1.3 14-slot backplanes Small Form Factor - Trenton BPX6719, BPG6714, BPX3/2, BPG2/2, BPX5, BPG4 and other industry standard small form factor backplanes
PICMG 1.0 BACKPLANE OPTIONS	14-slot - Trenton BP1/1/2/4/4, BP3/2/4/4, BP3/10, BP7/6 and other industry standard PICMG 1.0, 14-slot backplanes
PICMG 1.3 SHB OPTIONS	Dual-Processor PICMG 1.3 SHBs - Trenton JXT6966, MCXT-Series, MCGT-Series, SLT, NLT and other industry standard PICMG 1.3 SHBs Single-Processor PICMG 1.3 SHBs - Trenton JXTS6966, TQ9, TML, MCXI-Series, MCGI-Series, SLI, NLI, T4L and other standard PICMG 1.3 SHBs
PICMG 1.0 SBC OPTIONS	Trenton MX8, T4R, T4G, T4I and other industry standard PICMG 1.0 SBCs
MOTHERBOARD OPTIONS	Trenton NTM6900, WTM7026, JXM7031* and other industry standard Extended-ATX, ATX, Mini-ATX, and Micro-ATX form factors *Available Q3, 2010
VIDEO DISPLAY	1 - 8.4" TFT LCD, Active Display Area: 170.4 mm (H) x 127.8mm (V), Resolution: 800 x 600 pixels RGB, Acrylic faceplate seals and protects display
DRIVE BAYS	3 - Front removable and hot swap 3.5" drive carriers and 1 - Slim-line device bay for optical drive media
POWER SUPPLY	Mini-redundant ATX P/S up to 500W, other power supply options are available
COOLING	2 - 120mm Fans (center-mounted), 90 CFM each
INDICATORS	LEDs for HDD activity and Power Status
SWITCH	Power On/Off and System Reset
HOLD DOWN BAR	Flexible hold down bar for the SHB/SBCs and the option cards for added security in high vibration environments
AIR FILTER	2 - Side access system filters for cleaning and maintenance
METRIC DIMENSIONS	48.3cm (W) x 17.8cm (H) x 50.8cm (D) (with 19" rackmount handles installed)
ENGLISH DIMENSIONS	19.0" (W) x 7.0" (H) x 20.0" (D) (with 19" rackmount handles installed)

Trenton Systems offers complete system integration of a wide variety of standard and customer supplied operating systems and application software packages. Various Microsoft®, Linux and RTOS operating systems can be loaded on to your system by our highly skilled factory technicians. Other system integration services include loading and testing of industry standard or COTS option cards as well as custom designed boards.

Standard industry certifications and approvals for your specific system configuration are also available from Trenton Systems.

Final system weight, environmental specifications and total power consumption estimates are a function of the specific system configuration. Preliminary estimates and final validated values are provided by Trenton for each rackmount computer system we build.

NOTES:

1. The chassis photos are shown for illustrative purposes only.

Microsoft is a registered trademark of Microsoft Corporation. All other product and/or company names are trademarks or registered trademarks of their respective owners.

Copyright ©2010 by TRENTON Systems Inc., All rights reserved

