



KEY FEATURES

- Single-width, mid-height (option for full-height) per AMC.0
- Processor AMC with Intel® Next Generation Core™ i (Gladden) with Cave Creek PCH
- PCIe Gen2 x4 on ports 4-7 and 8-11 or single PCIe x8 on ports 4-11 (AMC.1)
- GbE to port 0 and 1 (AMC.2)
- SATA to port 2 and 3 (AMC.3)
- Dual GbE to the front panel
- Up to 16GB of DDR-III memory with ECC
- Option for up to 32GB of Flash
- Serial over LAN
- IPMI 2.0 compliant
- RoHS compliant

The AMC720 is a Processor AMC (PrAMC) in a single-width, mid-height AdvancedMC™ (AMC) form factor based on the Intel® next generation Core™ i Processor (Gladden) with Cave Creek PCH. The module follows the AMC.1, AMC.2 and the AMC.3 specifications.

The module provides PCIe Gen2 x4 or single x8 on ports 4-11 per AMC.1, dual GbE on ports 0 and 1 per AMC.2, and SATA on ports 2 and 3 per AMC.3. It also provides dual GbE to the front.

The AMC720 has option for up to 16 GB of DDR-III memory with ECC. Further the AMC720 allows for up to 32 GB of Flash for the OS.

The AMC720 has serial over LAN with hardware Random Number Generator (RNG) as seed generator for authentication.

The BIOS allows booting from on board Flash, off board SATA, PXE boot as well as USB.

VadaTech can modify this product to meet special customer requirements without NRE (minimum order placement is required).

AdvancedMC™

SPECIFICATIONS

| Architecture | | |
|---------------------------|---|--|
| Physical | Dimensions | Single-Width, Mid-Height (Full-Height options) |
| | | Width: 2.89 in. (73.5 mm) |
| | | Depth: 7.11 in. (180.6 mm) |
| Product Type | AMC Processor | Intel® Next Generation Core™ i with up to four core at 2.0GHz and 8MMB LLC |
| Standards | | |
| AMC | Type | AMC.1, AMC.2 and/or AMC.3 |
| Module Management | IPMI | IPMI Version 2.0 |
| PCIe | Lanes | Dual x4 or single x8 as PCIe |
| Configuration | | |
| Power | AMC720 | 18 to 48Watt (CPU dependent) |
| Environmental | Temperature | Operating Temperature: 0° to 55° C (Air flow >600 LFM for mid-height) |
| | | Storage Temperature: -40° to +90° C |
| | Vibration | Operating 9.8 m/s ² (1.0G), 5-500Hz |
| | Shock | Operating 325G/2ms, 160G/1ms |
| | Relative Humidity | 5 to 95 percent, non-condensing |
| Front Panel | LEDs | IPMI Management Control |
| | | Activity and User defined |
| | I/O | Dual GbE via RJ-45 |
| | | Dual USB via micro USB |
| Dual RS-232 via micro USB | | |
| | Mechanical | Hot Swap Ejector Handle |
| Software Support | Operating Systems | Linux, VxWorks and Windows |
| Other | | |
| MTBF | Per MIL-217F Handbook > TBD MTTF Hrs. | |
| Certifications | Designed to meet FCC, CE and UL certifications where applicable | |
| Standards | VadaTech is certified to both the ISO9001:2000 and AS9100B:2004 standards | |
| Compliance | RoHS and NEBS | |
| Warranty | Two (2) years | |
| Trademarks and Logos | The VadaTech logo is a registered trademark of VadaTech, Inc. Other registered trademarks are the property of their respective owners. AdvancedMC™ and the AdvancedTCA™ logo are trademarks of the PCI Industrial Computers Manufacturers Group. All rights reserved. Specification subject to change without notice. | |

Processor AMC based on Intel® Next Generation Core™ i (Gladden)

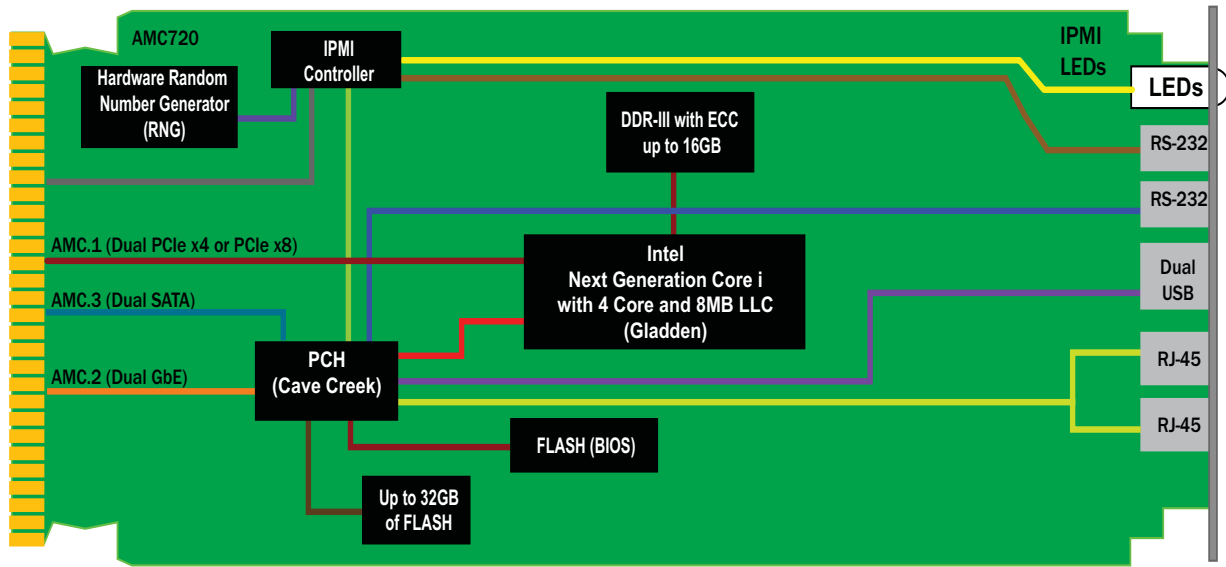
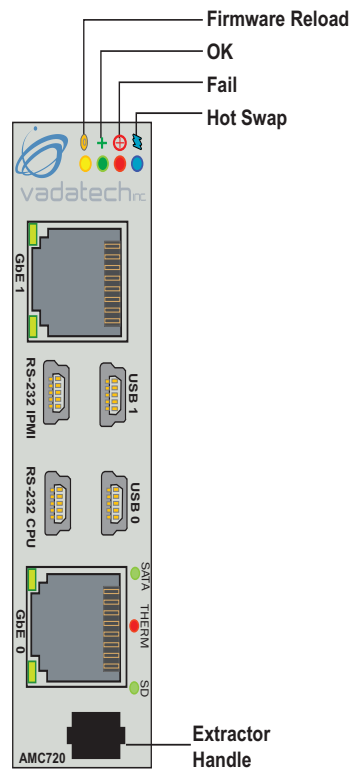


FIGURE 1. AMC720 Functional Block Diagram

FIGURE 2. AMC720 Front Panel



ORDERING OPTIONS

AMC720 - ABC - D00 - OHJ

A = CPU Core, Speed, Cache

- 1 = 4C, 2GHz, 8MB LLC (Xeon E3 1125)*
- 2 = 4C, 1GHz, 6MB LLC (Xeon E3 1105)
- 3 = 2C, 2GHz, 3MB LLC (Core i3-2115)
- 4 = Reserved
- 5 = 2C, 1.5GHz, 3MB LLC (Pentium B915)
- 6 = 1C, 1.3GHz, 1.5MB LLC (Celeron 725)

B = DDR-III ECC memory

- 0 = 4GByte
- 1 = 8GByte
- 2 = 16G Byte

C = Front Panel*

- 1 = Reserved
- 2 = Mid-Height
- 3 = Full-Height

D = Flash

- 0 = None
- 1 = Reserved
- 2 = 16GB
- 3 = 32GB

H = Operating Temp

- 0 = Commercial Temp
- 1 = Industrial Temp

J = Conformal Coating

- 0 = None
- 1 = Humiseal 1A33 Polyurethane
- 2 = Humiseal 1B31 Acrylic

*VadaTech recommends the full-height option for this ordering option so the larger heat sink would accommodate the heat dissipation

