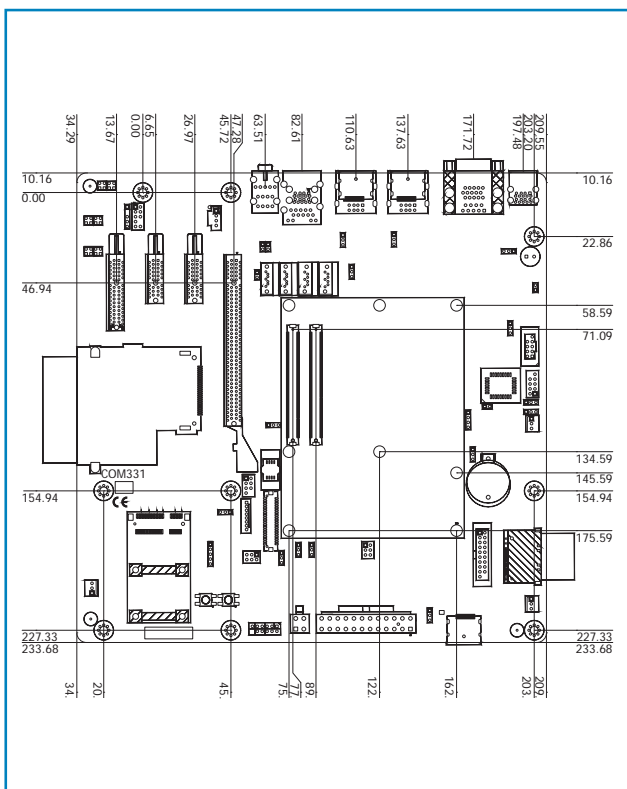


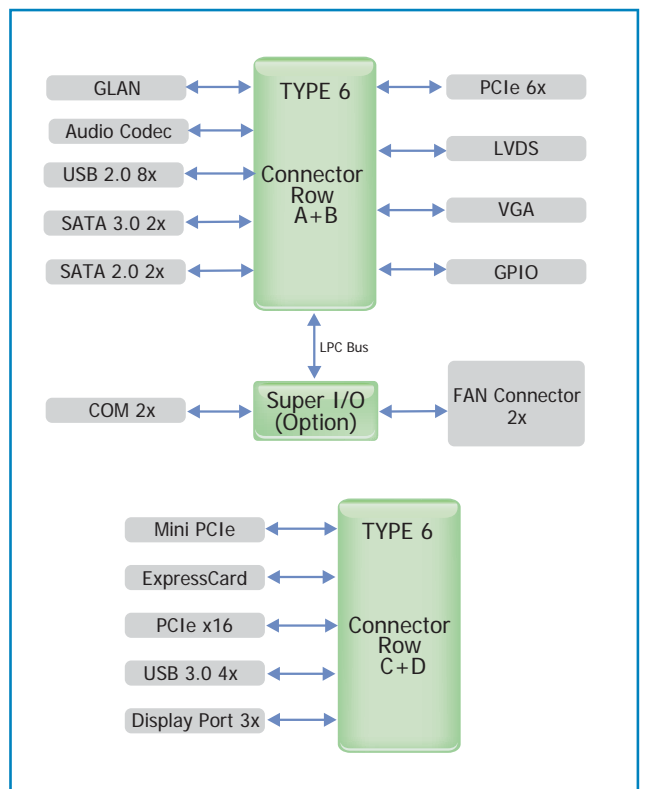
Features

EXPANSION	<ul style="list-style-type: none"> 1 PCIe x16 1 PCIe x4 2 PCIe x1 1 Mini PCIe (PCIe signal only) 1 ExpressCard slot (PCIe signal only)
DISPLAY OUTPUTS	<ul style="list-style-type: none"> 1 VGA, 3 DisplayPorts, 1 LVDS
LAN	1 Gigabit LAN port
COM	2 COM
USB	8 USB: 4 USB 3.0, 4 USB 2.0
STORAGE	<ul style="list-style-type: none"> 4 SATA: 2 SATA 3.0, 2 SATA 2.0 1 SDIO
DIO	8-bit DIO

Mechanical Drawing



Block Diagram



Specifications

ONBOARD AUDIO FEATURES

- Realtek ALC886 5.1-channel High Definition Audio
- Audio outputs: Mic-in/Center+Subwoofer, line-in/surround and line out
- S/PDIF audio interface

STORAGE

- 4 Serial ATA ports
 - 2 SATA 3.0 ports with data transfer rate up to 6Gb/s
 - 2 SATA 2.0 ports with data transfer rate up to 3Gb/s

DIGITAL I/O

- 8-bit Digital I/O connector
 - 4-bit GPI (General Purpose Input)
 - 4-bit GPO (General Purpose Output)

REAR PANEL I/O PORTS

- 1 DB-9 RS232 serial port
- 1 DB-15 VGA port
- 2 DisplayPorts
- 1 RJ45 LAN port
- 4 USB 3.0 ports
- 4 USB 2.0 ports
- Line-in/Surround, Line out, Mic-in/Center+Subwoofer jacks

I/O CONNECTORS

- 1 connector for 1 external RS232 serial port
- 2 serial interface connectors
- 1 SDIO slot
- 1 DisplayPort
- 1 LVDS LCD panel connector
- 1 LCD/inverter power connector
- 1 8-bit Digital I/O connector
- 1 front audio connector for line-out and mic-in jacks
- 1 S/PDIF connector
- 4 Serial ATA ports
- 1 LPC connector
- 1 I²C connector
- 1 SMBus connector
- 1 24-pin ATX power connector
- 1 4-pin 12V power connector
- 1 chassis intrusion connector
- 1 front panel connector
- 3 fan connectors

EXPANSION SLOTS

- 1 PCIe x16 Gen 3 slot
- 1 PCIe x4 Gen 2 slot
- 2 PCIe x1 slots (PCIe 2.0)
- 1 Mini PCIe slot (PCIe 2.0) (PCIe signal only)
 - USB signal: optional
 - Supports half/full size Mini PCIe card
- 1 ExpressCard slot (PCIe signal only)
 - USB signal: optional

SUPPORTED COM EXPRESS[®] MODULES

- Basic
- Compact

DAMAGE FREE INTELLIGENCE

- Legacy Super I/O support (option)
 - Monitors 5V/1.5V/12V/3.3V
 - Monitors SIO_Fan 1/SIO_Fan 2/System fan

ROM INTERFACE

- 1 SPI interface
 - Supports up to 64Mbit
- 1 LPC/FWH interface

TEMPERATURE

- Operating: 0°C to 60°C
- Storage: -20°C to 85°C

HUMIDITY

- 10% to 90%

POWER OUTPUT

- 12V, 5VSB, VCC_RTC (ATX mode)
- 12V, 5V, VCC_RTC (AT mode)
- 12V, VCC_RTC (AT mode)

PCB

- Dimensions
 - microATX form factor
 - 244mm (9.6") x 244mm (9.6")
- Compliance
 - PICMG COM Express[®] R2.0, Type 6

CERTIFICATIONS

- CE
- FCC Class B
- Rohs

Packing List

- 1 COM331-B board
- 2 Serial ATA data cables
- 1 COM port cable (with bracket)
- 1 I/O shield
- 1 DVD
- 1 QR (Quick Reference)

Optional Items

- Serial ATA data cable
- COM port cable
- I/O shield
- Serial ATA power cable