

AMC718



KEY FEATURES

- Single-width, mid-height (option for full-height) per AMC.0
- Processor AMC with Freescale™ QorIQ P4040 and P4080
- PCIe Gen2 on ports 4-11
- Configurable as Host (Root Complex) or Agent
- Dual 10GbE with SFP+ interface
- Up to 16GBytes of DDR-III memory with ECC
- Dual GbE per AMC.2 specification on ports 0 and 1
- 32Mbytes of NOR Flash
- 8Mbytes of SPI Flash and 512KB of I2C Flash
- 256 Mbytes of NAND Flash
- IPMI 2.0 compliant
- RoHS compliant
- OS support for Linux and VxWorks

The AMC718 is a Processor AMC (PrAMC) in a single-width, mid-height AdvancedMC™ (AMC) form factor based on the Freescale P4040 and P4080. The module follows the AMC.1 and AMC.2 specifications. The PCIe interface is configurable as Host or Agent mode and it interfaces as x8 or dual x4. The module has option for up to 16GBytes of DDR-III memory with ECC.

The AMC718 provides Dual 10GbE via SFP+.

The module provides Dual GbE to the rear per AMC.2 specification on ports 0 and 1. It has single GbE to the front which is muxed with port 1.

VadaTech can modify this product to meet special customer requirements without NRE (minimum order placement is required).

AdvancedMC™

SPECIFICATIONS

Architecture			
Physical	Dimensions	Single-Width, Mid-Height (Full-Height options)	
		Width: 2.89 in. (73.5 mm)	
		Depth: 7.11 in. (180.6 mm)	
Product Type	AMC Processor	Freescale P4040, P4080	
Standards			
AMC	Type	AMC.1 and AMC.2	
Module Management	IPMI	IPMI Version 2.0	
PCIe	Lanes	PCIe x8 or dual PCIe x4	
Configuration			
Power	AMC718	35W with P4080 @ 1.5GHz	
Environmental	Temperature	Operating Temperature: 0° to 60° C (Air flow requirement is to be greater than 600 LFM)	
		Storage Temperature: -40° to +90° C	
	Vibration	Operating 9.8 m/s ² (1.0G), 5-500Hz	
	Shock	Operating 325G/2ms, 160G/1ms	
	Relative Humidity	5 to 95 percent, non-condensing	
Front Panel	LEDs	IPMI Management Control	
		Activity/Link	
		User LED	
			Dual SFP+
			Single GbE via RJ-45
			CPU RS-232
			IPMI Management RS-232
	Mechanical	Hot Swap Ejector Handle	
Software Support	Operating Systems	Linux and VxWorks	
Other			
MTBF	MIL-217F Handbook > TBD MTTF Hrs.		
Certifications	Designed to meet FCC, CE and UL certifications where applicable		
Standards	VadaTech is certified to both the ISO9001:2000 and AS9100B:2004 standards		
Compliance	RoHS and NEBS		
Warranty	Two (2) years		
Trademarks and Logos	The VadaTech logo is a registered trademark of VadaTech, Inc. Other registered trademarks are the property of their respective owners. AdvancedMC™ and the AdvancedTCA™ logo are trademarks of the PCI Industrial Computers Manufacturers Group. All rights reserved. Specification subject to change without notice.		

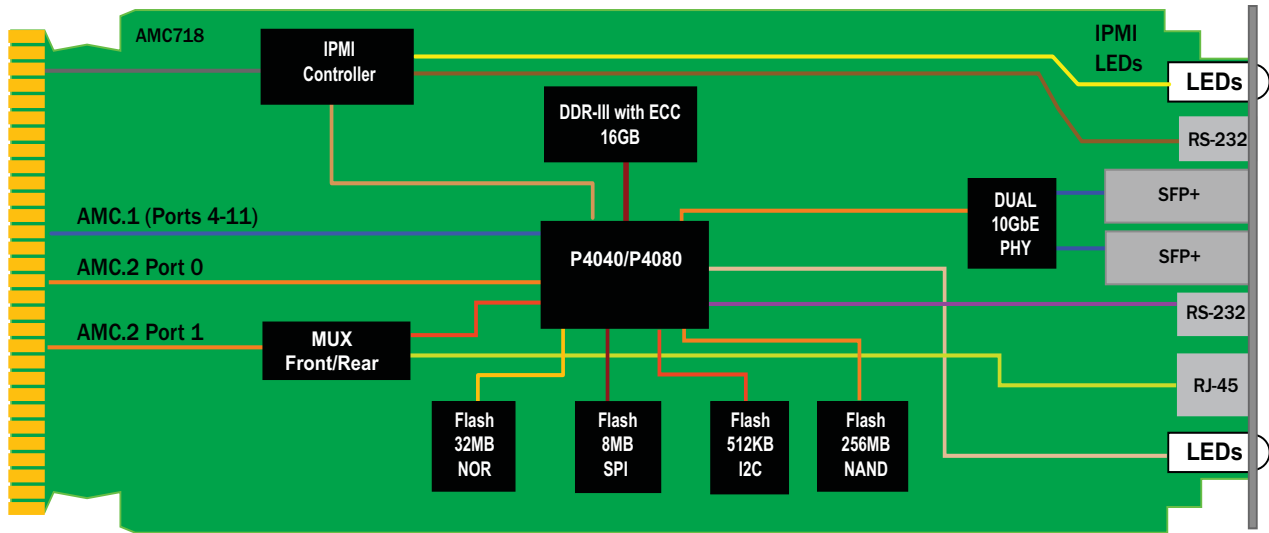
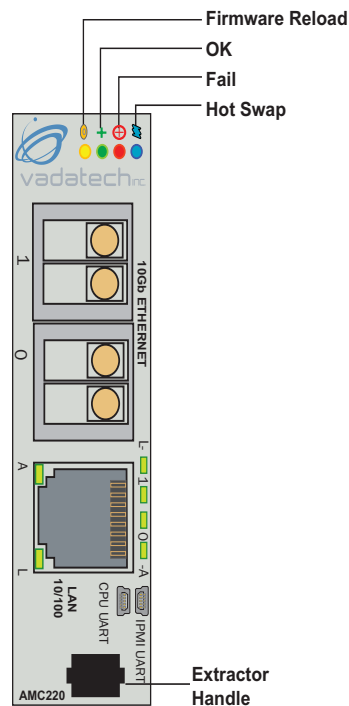


FIGURE 1. AMC718 Functional Block Diagram

FIGURE 2. AMC718 Front Panel



ORDERING OPTIONS

AMC718 - ABC - DEF - OHJ

A = CPU Speed

- 1 = P4040 @ 1.2GHz
- 2 = P4040 @ 1.5GHz
- 3 = P4080 @ 1.2GHz
- 4 = P4080 @ 1.5GHz

B = DDR-III ECC memory

- 0 = 4 GByte
- 1 = 8 GByte
- 2 = 16 GByte

C = Front Panel

- 1 = Reserved
- 2 = Mid-Height
- 3 = Full-Height

D = PCIe (ports 4-11)

- 0 = Dual PCIe x4
- 1 = Single PCIe x8

E = SFP+ Transceivers Port 0

- 0 = None
- 1 = 10GBASE-SR
- 2 = Reserved
- 3 = 10GBASE-LRM
- 4 = 10GBASE-LR

F = SFP+ Transceivers Port 1

- 0 = None
- 1 = 10GBASE-SR
- 2 = Reserved
- 3 = 10GBASE-LRM
- 4 = 10GBASE-LR

H = Operating Temp

- 0 = Commercial
- 1 = Industrial

J = Conformal Coating

- 0 = None
- 1 = Humiseal 1A33 Polyurethane
- 2 = Humiseal 1B31 Acrylic

