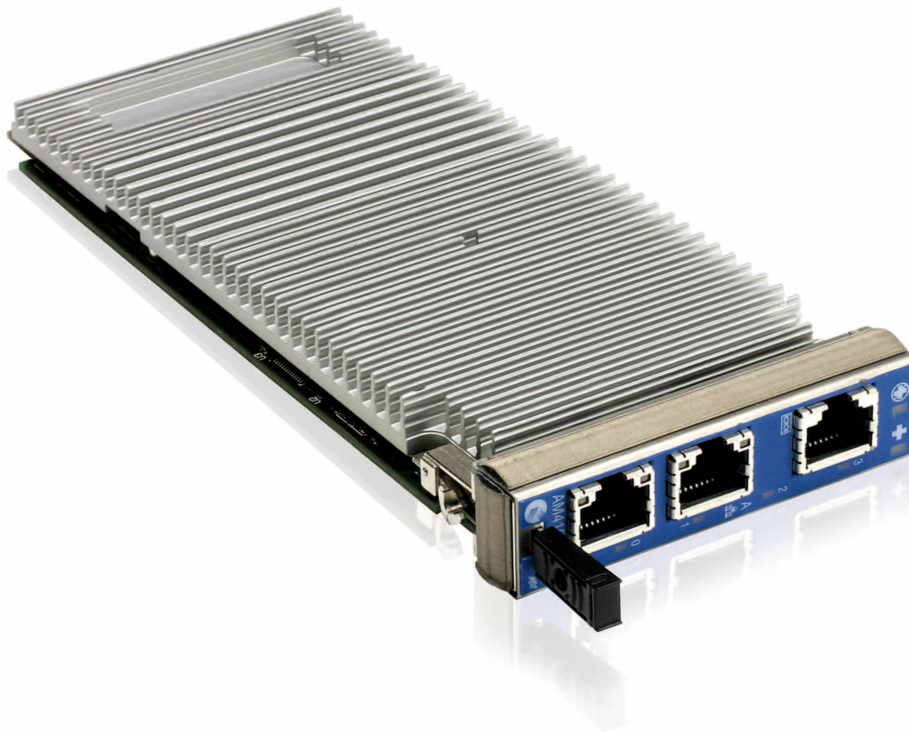


» AM4100 «



AdvancedMC™ AdvancedTCA® μTCA®

Superior Performance

- » 1.5 GHz Freescale dual-core MPC8641D with AltiVec

Unparalleled Networking

- » 4 Gigabit Ethernet channels

Highest Flexibility

- » PCI Express (serialRapidIO alternatively) and Gigabit Ethernet

Power Architecture performance on AMC module

Dual-Core PowerPC processor module, AMC.0, AMC.1, AMC.2 (AMC.4)

» Superior Performance

The AM4100 is a sophisticated AdvancedMC module designed for performance demanding applications such as protocol processing or data management in ATCA or TCA systems. Built around the state-of-the-art Freescale dual-core PowerPC MPC8641D, the board addresses the ever-increasing need of equipment manufacturers for cost-effective and modular processing capabilities. The integrated AltiVec technology offers DSP-like computing power demanded by telecommunication switches, speech processing systems, IP telephony gateways or image and video processing systems.

» Unparalleled Networking

Four Gigabit Ethernet channels provide unparalleled networking capabilities. Two channels are routed to the AMC ports 0 and 1, additional two can be switched to the front panel as 1000Base-TX (copper) interface or to the AMC connector. The integrated 10/100/1000 Ethernet controllers feature advanced capabilities for TCP and UDP checksum acceleration, QoS support and packet header manipulation making the board an ideal platform to run a communication-intensive client or control application.

» Highest Flexibility

Supporting the PICMG sub-specifications AMC.1 (PCI Express) and AMC.2 (Gigabit Ethernet) for fabric connections, the AM4100 provides most flexible interconnecting capabilities to the AMC carrier or backplane.

The PCI Express x4 interface assures highest data throughput for I/O intensive applications. Designed to meet the AMC.4 specification, an according variant (sRIO x4 combined with AMC.2 (Gigabit Ethernet) can be ordered as well.

» AMC everywhere

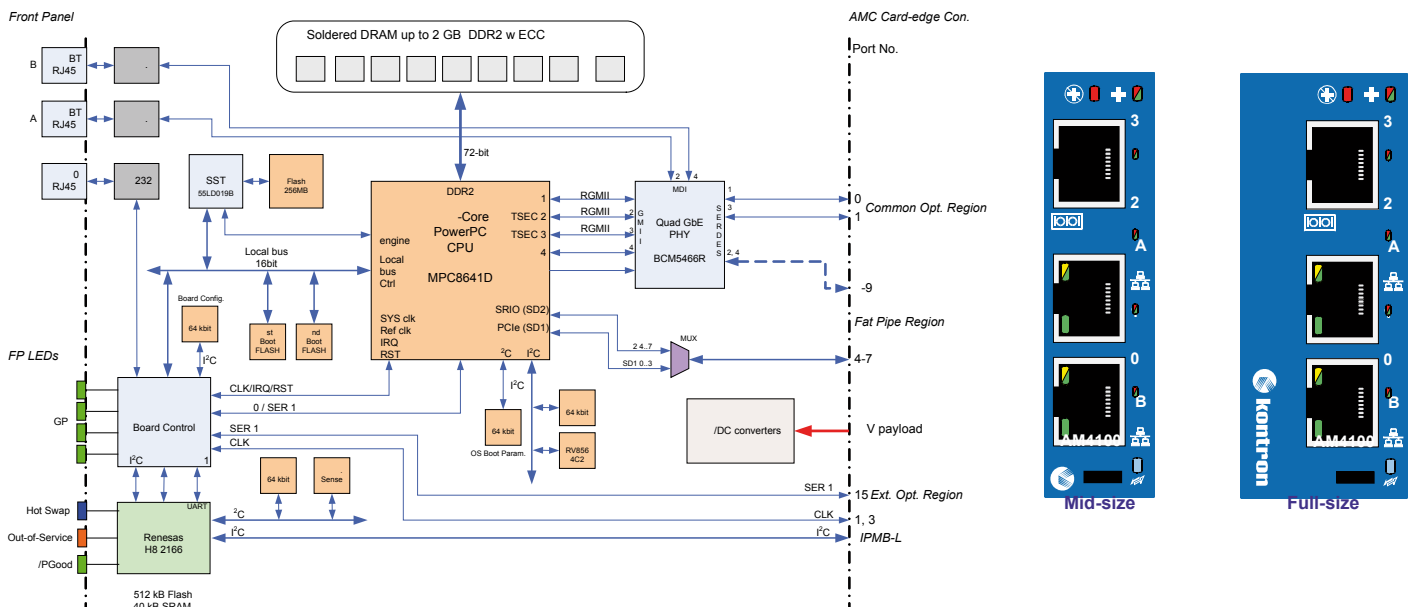
A comprehensive range of 'AMC everywhere' ATCA boards, such as ATCA carrier boards, CPU and hub boards are complementing Kontron's AMC product portfolio including the AM4100 module.

Optimized on packet-throughput and computing performance, the AM4100 perfectly fits to the needs of telecom applications such as VoIP solutions and 3Gwireless basestations based on ATCA system technology. Moreover, the AM4100 is perfectly suited to drive a TCA system used for cost optimized communication or general purpose computing applications.

» Reliability

A well thought-out design, careful selection of high-quality components in combination with a sophisticated heat sink ensures highest reliability in a wide operating temperature range.

Durable components, first of all the Freescale MPC8641D Power Architecture processor, secure superior long-term availability for all applications, where longevity and reliability counts.



Technical Information

System Processor

Freescale MPC8641D dual-core Power Architecture processor (e600 core) with 128-bit vector processing unit (AltiVec)
1 MB L2 cache per core
Freescale MPC8641D processor, 1.0 GHz, 400 MHz platform frequency
Freescale MPC8641D processor, 1.32 GHz, 528 MHz platform frequency
Freescale MPC8641D processor, 1.5 GHz, 600 MHz platform frequency
The processor is passively cooled with a fanless heatsink. Forced air cooling at a specific flow rate is required.

Memory

System memory:	0.5/1/2 GB soldered DDR2 (up to 600 MHz) memory with ECC
Flash:	512 MB NAND Flash with onboard controller for application code and data (up to 4 GB possible)
Bootflash:	Two redundant 4 MB NOR Flash devices, used by the NetBootLoader.
EPROM:	Four serial EEPROMs, 64 kbit for system/MMC/application data.

Onboard Controller

Memory:	DDR2 controller with ECC support, 533 MHz, 72 bit
Gigabit Ethernet:	Four triple-speed Ethernet controllers integrated in MPC8641D
Watchdog:	FPGA based Software configurable two-stage Watchdog with programmable timeout ranging from 125 msec to 256 sec in 12 steps.
MMC:	Microcontroller with dual 512 kB Flash and 40 kB RAM

AMC System Interconnect

PCI Express:	One x4 PCI Express interface AMC fat pipes region port 4-7
Gigabit Ethernet:	Two Gigabit Ethernet 1000BASE-BX (SerDes) ports AMC common options region port 0-1
Serial Rapid IO:	One x4 sRIO interface AMC fat pipes region port 4-7 instead of PCI Express
Debug Port:	AMC extended options region, port 14
Com Port:	AMC extended options region, port 15

Front Panel Interfaces

Gigabit Ethernet:	Two Gigabit Ethernet 1000BASE-TX, RJ45 connector (optionally on AMC ports 8-9 as 1000BASE-BX)
Serial:	RS232 UART interface, RJ45 connector
LEDs:	Four control and status bi color (red/green LEDs)

MMC Module Management Controller

Microcontroller with 40 kB RAM and redundant 512 kB Firmware Flash chips with roll-back functionality.
The MMC carries out IPMI commands such as monitoring onboard temperature sensors, board voltages, power supply status and manages hot swap operations.
The MMC is accessible via a local IPMB (IPMB-L) and a host Keyboard Style Interface (KCS).

Compliance

ATCA:	PICMG 3.0 AdvancedTCA Base Specification R2.0
μTCA:	PICMG MTCA.0 Micro Telecommunications Comp. Architecture R1.0
AMC:	PICMG AMC.0: Advanced Mezzanine Card Specification R2.0 PICMG AMC.1: PCI Express and Advanced Switching R1.0 PICMG AMC.2: Gigabit Ethernet R1.0 PICMG AMC.4: Serial RapidIO (alternatively instead of AMC.1)
IPMI:	Intelligent Platform Management Interface Specification, V2.0
PCI Express:	PCI Express Base Specification Revision 1.0a
CE:	EB55022, EN55024, EN61000-6-2/-6-3, EN300386, EN60950-1
Vibration/Shock:	IEC60068-2-6 / EIC60068-2-27
Climatic Humidity:	IEC60068-2-78
WEEE:	Directive 2002/96/EC
RoHS:	Directive 2002/95/EC

Power Consumption

1.0 GHz, 512 MB mem:	max. 27 W at 2m/s airflow
1.33 GHz, 1 GB mem:	max. 27 W at 2m/s airflow
1.5 GHz, 2 GB mem:	max. 39 W at 2m/s airflow

Technical Information

General

Dimensions:	181.5 mm x 73.5 mm
MTBF:	223,861h acc. Bellcore Issue 6, Ground Benign, Controlled, 30°C
Weight:	145 g (Mid-Size) 188 g (Full-Size)

Software Support

Netbootloader, configuration stored in EEPROM, Boot order defined via MMC Serial over Lan, Support for Linux, VxWorks

Environmental

Operating temp.:	-5°C to +55°C (depending on system environment)
Storage temp.:	-55°C to +70°C
Humidity:	Operational: 5%-90% (non-condensing) Non-Operating: 5%-95% (non-condensing)

Ordering Information

Article	Description
AM4100M-1.33-1G	AMC processor module, Freescale MPC8641D 1.33 GHz, 1 GB memory, 512 MB flash, mid-size, AMC.1/AMC.2
AM4100M-1.0-512M	AMC processor module, Freescale MPC8641D 1.0 GHz, 512 MB memory, 512 MB flash, mid-size, AMC.1/AMC.2
AM4100-1.5D-2G	AMC processor module, Freescale MPC8641D 1.5 GHz, 2 GB memory, 512 MB flash, full-size, AMC.1/AMC.2
AM4100-1.5D-2G-SRIO	AMC processor module, Freescale MPC8641D 1.5 GHz, 2 GB memory, 512 MB flash, full-size, AMC.4/AMC.2
LIN-BSP-AM4100	Linux BSP based on Freescale Linux package
LIN-BSP-WR-AM4100-PNE2.0	WindRiver Linux BSP PNE 2.0
VXW-BSP-AM4100-V6.6	WindRiver VxWorks V6.6, supporting SMP

CORPORATE OFFICES

Europe, Middle East & Africa

Oskar-von-Miller-Str. 1
85386 Eching/Munich
Germany
Tel.: +49 (0)8165/ 77 777
Fax: +49 (0)8165/ 77 279
info@kontron.com

North America

14118 Stowe Drive
Poway, CA 92064-7147
USA
Tel.: +1 888 294 4558
Fax: +1 858 677 0898
info@us.kontron.com

Asia Pacific

17 Building, Block #1, ABP.
188 Southern West 4th Ring Road
Beijing 100070, P.R.China
Tel.: + 86 10 63751188
Fax: + 86 10 83682438
info@kontron.cn

